

# SET UP

Use [www.pdfescape.com](http://www.pdfescape.com) to edit, save and send.

# 747

NAME **Yuya Sahashi**

RACE

DATE **24.8.12**

1 ST		SPUR			2ND	
<input checked="" type="checkbox"/>	<input type="checkbox"/>	<input type="checkbox"/>	<input checked="" type="checkbox"/>	<input type="checkbox"/>	<input type="checkbox"/>	
60	59	58	53	54	55	

1 ST		PINION			2ND	
<input type="checkbox"/>	<input checked="" type="checkbox"/>	<input type="checkbox"/>	<input type="checkbox"/>	<input checked="" type="checkbox"/>	<input type="checkbox"/>	
16	17	18	21	22	23	

FRONT		DRIVE TRAIN		REAR	
GEAR DIFF		GEAR DIFF		GEAR DIFF	
<input checked="" type="checkbox"/>	100000	CST	<input checked="" type="checkbox"/>	30000	CST
NUMBER OF GEARS					
2		4		4	
<input type="checkbox"/>	ONE WAY				
<input type="checkbox"/>	SPOOL	<input type="checkbox"/> SOLID			

FRONT		SHOCK ABSORBERS		REAR	
OIL/CST	TYPE:RCC	TYPE:RCM	<input checked="" type="checkbox"/>	OIL/CST	
550				550	
SPRING			SPRING		
XRAY			XRAY		

FRONT		ANTI-ROLL BARS				REAR	
<input type="checkbox"/>	<input checked="" type="checkbox"/>	<input type="checkbox"/>	<input type="checkbox"/>	<input type="checkbox"/>	<input type="checkbox"/>	<input type="checkbox"/>	<input type="checkbox"/>
1.8	2.2	2.5	2.8	1.8	1.9	2.0	2.1
				2.2	2.3	2.5	

FRONT		TYRES		REAR	
LEFT	RIGHT	LEFT	RIGHT	LEFT	RIGHT
XCEED		MAKE	XCEED		
MH	MH	SHORE	37	37	
mm	mm	DIAMETER	mm	mm	
		6-MIN WEAR			

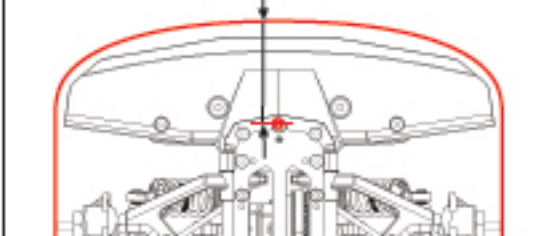
ENGINE		ZX12-DS4			
TYPE	EM	HEADSHIMS	0.4	mm	
GLOWPLUG	RP6	CARB DIA	5.4	mm	

EXHAUST		ASUKA GT2			
FIXED HEADER	<input type="checkbox"/>	<input type="checkbox"/>	<input checked="" type="checkbox"/>	CONICAL	<input checked="" type="checkbox"/>
	LONG MED SHORT			YES	NO

FUEL	NASA	NITRO 16 %
------	------	------------

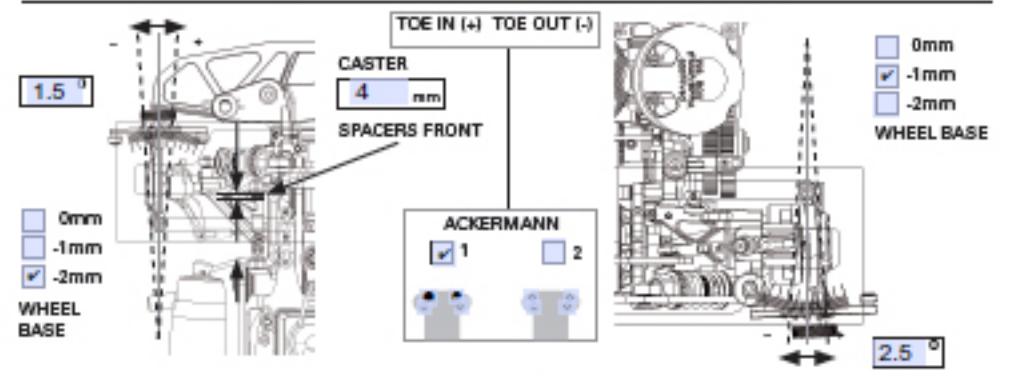
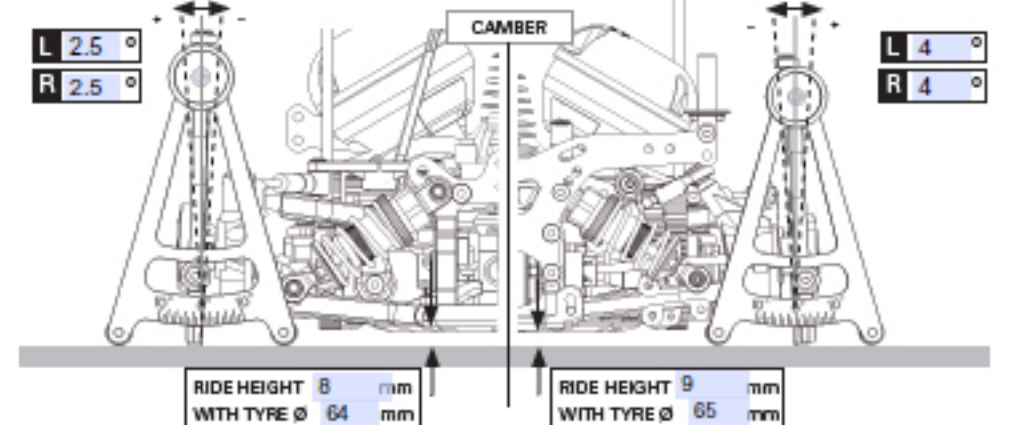
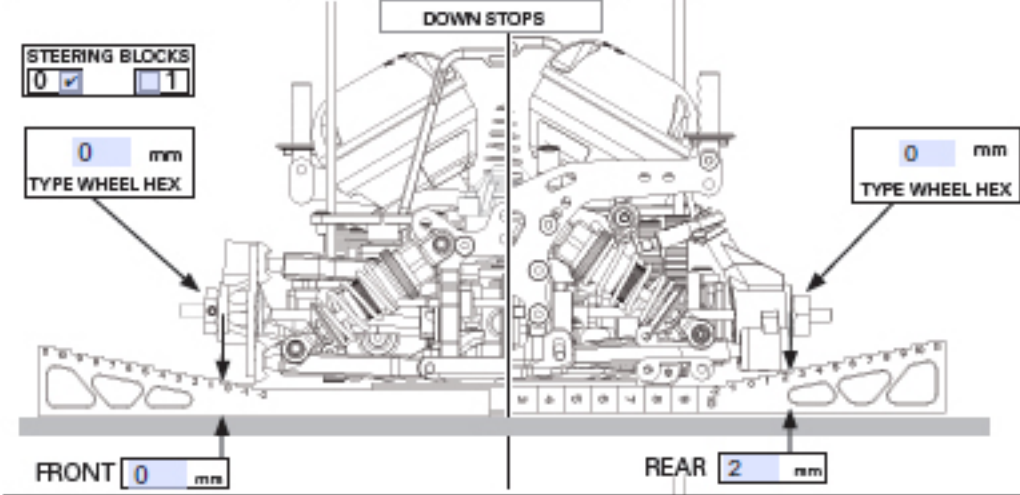
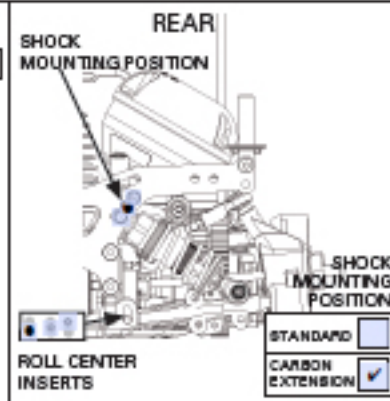
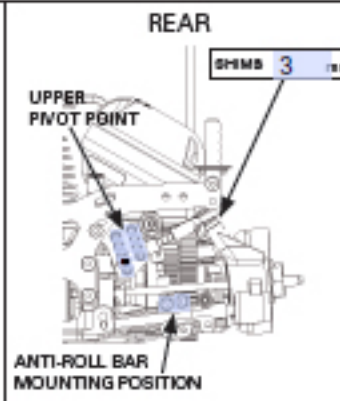
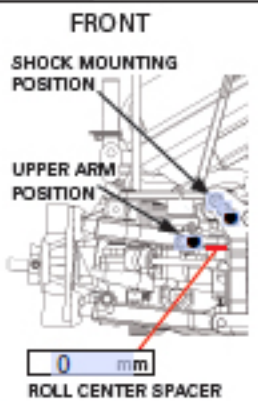
BODY	ASUKA XF
------	----------

WING	XF
BODY-TYPE	mm



REMARKS

TRACK **HOKUSEI Circuit**



FLEX	YES	<input type="checkbox"/>	NO	<input checked="" type="checkbox"/>	CHASSIS CONNECTORS	ALU	<input type="checkbox"/>	RUBBER	<input checked="" type="checkbox"/>
------	-----	--------------------------	----	-------------------------------------	--------------------	-----	--------------------------	--------	-------------------------------------

